

Mechanical Diaphragm Dosing Pump

JWM-A Series Mechanical Diaphragm Dosing Pump

Features

- ★ Mechanical actuated diaphragm, no leakage structure
- ★ The materials of the pump head can be PVC, PTFE, PVDF, SS316&SS304
- ★ It is used for corrosion resistant liquid
- ★ It can be installed on the medicine groove
- ★ Easy installation&maintenance
- ★ It is safe to operate it
- ★ Cooling circuits
- ★ Capacity can be adjusted from 0 to 100% during operation

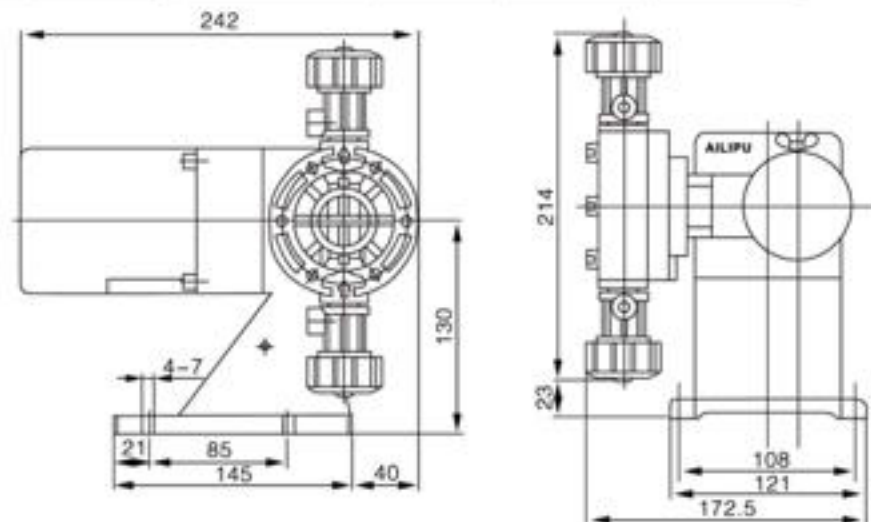


Technical Data

Model	Capacity (LPH)	Max. Pressure (Bar)	Stroke (mm)	Speed (min-1)	Dia.Diaphragm(mm)	Connection	Power	Weight (KG)
JWM-A6.5/1	6.5	10	2	54	65	ID9 OD15	220V/50HZ 380V/50HZ	8.5
JWM-A12/1	12		2	108				
JWM-A24/1	24		4	90				
JWM-A32/1	32		4	135				
JWM-A42/1	42	5	5	135	84	DN15		
JWM-A60/1	60		5	150				
JWM-A80/0.5	80		4	150				
JWM-A90/0.5	90		5	135				
JWM-A100/0.5	100	3	5	150	96	DN15		
JWM-A110/0.3	110		4	150				
JWM-A120/0.3	120		5	135				
JWM-A150/0.3	150		4	150				

Capacity (LPH)	PVC/PVDF					
	A/B	C	D	E	F	G
6.5-60	107	29	172	147	40	242
80-120	128	51	190	168	51	274
150	133	52	193	206	56	317.5

Capacity (LPH)	SS304/SS316					
	A/B	C	D	E	F	G
6.5-60	91	32	168	147	40	242
80-120	124	51	190	168	51	274
150	133	52	191	206	56	317.5



Material

Pump head	Diaphragm	Ball valve	Valve seat/o-ring	Chemicals
PVC	PTFE/EPDM	Ceramic	PETFE/EPDM	Sodium hypochlorite, Aluminium sulfate, Ferric chloride, PAC, Sulfuric acid, Phosphoric acid, Urea, Aeri foams, Calcium chloride, Aluminium chloride
		SS304/SS316	EPDM	Coagulant, Ammonia water, Hydrazin, Caustic soda

Mechanical Diaphragm Dosing Pump

JWM-AD Series Mechanical Diaphragm Dosing Pump

Features

- ★ Mechanical actuated diaphragm, no leakage structure
- ★ The material of pump head can be PVC, PTFE, PVDF and Ss316
- ★ It is used for corrosion resistant liquid
- ★ It can be installed on the medicine groove
- ★ Easy installation and simple repair and maintenance
- ★ It is safe to operate it
- ★ Cooling circuits
- ★ Capacity can be adjusted from 0 to 100% during operation



JK-I Digital Controller

JK-I Digital Controller works with dosing pump JWM-A.

Technical Parameters

- ★ Power:220V,50HZ or 380V,50HZ(the power is same with dosing pump)
- ★ Motor running cycle:20S
- ★ Cycle operation time:1 to 20S
- ★ Receiving remote control signals:4 to 20mA signal.
- ★ Maximun load power:0.9KW
- ★ Input control signal:4 to 20mA



Performance

- ★ The flow accuracy(L):Less than $\pm 5\%$ (The quota value $L \times \pm 5\%$)
- ★ Power dissipation:Less then 20VA
- ★ Sensitivity:Less then 20mS
- ★ C The environment:Temperature:0 to 45°C, relative temperature: Less then 85%RH

